

HOUCHI MACHINE 合記機械

2023

濕式研磨機
Bead mill

乾式研磨機
Dry grinder

研磨珠
Grinder medium

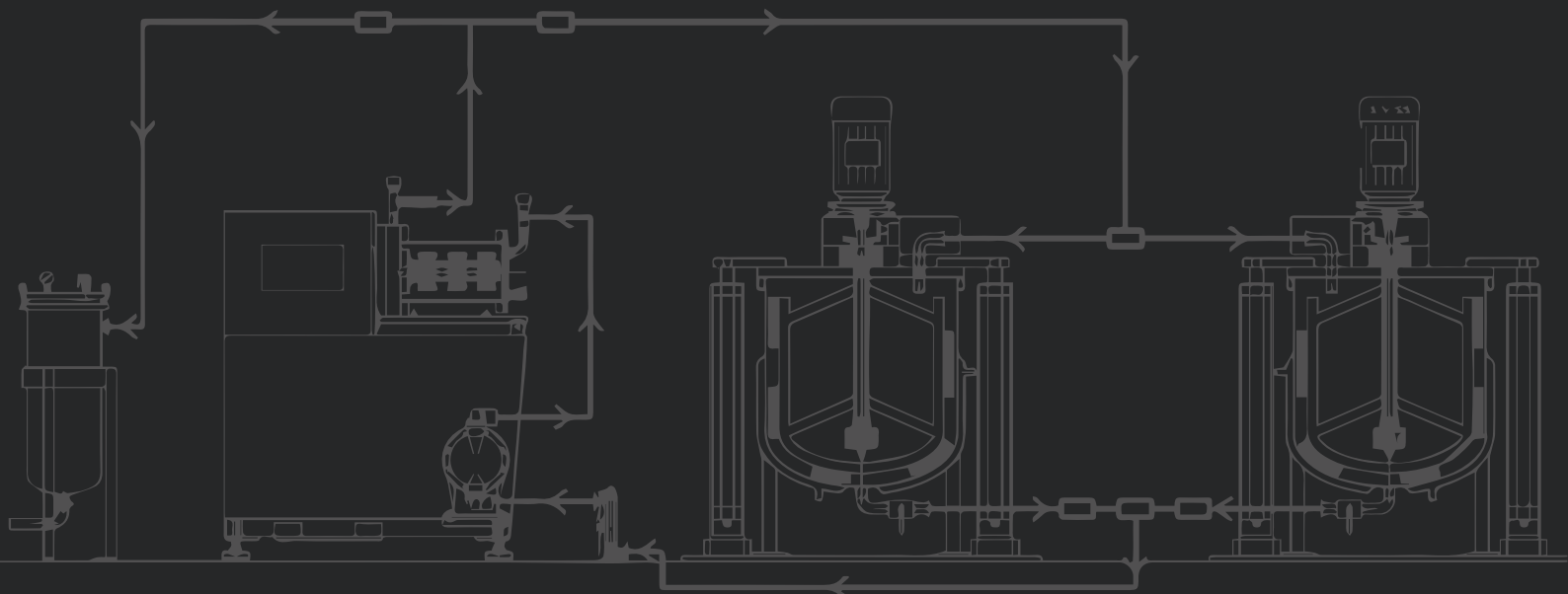
攪拌槽系統
Mixing tank system

配方篩選機
Formula shaker

目錄

Contents

AFS-720 多功能配方篩選機 Auto Formula Shaker - 720	2
NT系列 陶瓷奈米研磨機 NT Nano Ceramic Bead mill	4
HT系列 陶瓷珠磨機 HT Ceramic Bead mill	6
LHT系列 珠磨機 LHT Bead mill	8
攪拌槽系統 Mixing tank system	10
研磨珠 Grinding Media	12
乾式研磨機 Dry Grinder	14
粗碎機 Crusher	17
附件 Attachment	18



發展沿革

Development history

1959	合記集團成立於高雄，專營油漆、塗料相關產品 Houchi Group was established in Kaohsiung, Taiwan and the main business scope is raw materials for paint · ink and plastic industries.
1970	成立台北總公司 Set up the HQ in Taipei, Taiwan.
1986	代理日本-KCK圓盤式擠出機 Became distributor of KCK Continuous Kneader, Japan
	代理日本-KOBELCO雙螺桿式擠出機 Became distributor of KOBELCO Twin Screw Extruder, Japan
1991	代理德國-MIXACO研磨機 Became distributor of MIXACO Container Mixer, Germany
2005	代理美國-DRAIS研磨機 Became distributor of DRAIS Bead Mill , USA
2007	成立DOXA品牌-生產助劑等特用化學品 DOXA Brand Launched - Additives and Specialty Chemicals
	設立精密研磨實驗室，投入奈米材料分散研磨的研究 Laboratory set up and research on Dispersing Nano materials
	代理日本-TOSOH研磨氧化鋁珠 Became distributor of TOSOH Grinding Media, Japan
2012	成立合記機械HOUCHI MACHINE品牌 HOUCHI MACHINE Brand Launched
	NT系列陶瓷奈米研磨機 NT Series Nano Ceramic Bead Mill
2015	代理愛爾蘭-MERRIS混合機 Became distributor of MERRIS AUTOMIX 480, Ireland
2016	乾式研磨機 HOUCHI MACHINE Brand Launched -Dry Grinder
2017	代理日本-UNION研磨玻璃珠 Became distributor of UNION Grinding Glass Media, Japan
2018	HT系列陶瓷珠磨機、LHT系列珠磨機 HOUCHI MACHINE Brand Launched -HT Series Ceramic Bead Mill & LHT Series Bead Mill
2020	粗碎機 HOUCHI MACHINE Brand Launched -Crusher
2021	攪拌槽系統 Mixing tank system
2022	成立雲林機械實驗室、中央入料系統取得專利 Yunlin Machinery Laboratory was established, and the central feeding system obtained a patent
2023	AFS-720多功能配方篩選機 Auto Formula Shaker

AFS-720 Auto Formula Shaker -720

多功能配方篩選機



規格

Specifications

時間設定：可自行調整
Time setting : adjustable by user

機台尺寸：67 x 72 x 108 cm
Machine dimensions : 67 x 72 x 108 cm

機台重量：218 kg
Machine weight : 218 kg

馬達容量：0.75 KW
Power : 0.75 KW

電源規格：AC 220V / 單相
Power specification : AC 220V/Single phase

樣品測試資料

Sample Testing Data

樣品最大重量：35 kg
Maximum sample weight : 35 kg

樣品最大尺寸：370x370x420 mm
Maximum sample size : 370x370x420 mm

樣品最低高度：60 mm
Minimum sample height : 60 mm

樣品最高高度：420 mm
Maximum sample height : 420 mm

應用 Application

塗料和油墨
Coating and Ink

電子漿料
Electronic Paste

被動元件
Passive components

電動車產業
EV Industry

化粧品
Cosmetic

藥品
Pharmaceuticals

食品
Food

各式漿料
various types of paste



CHECK POINT !

獨特雙面板設計
Unique dual-panel design

- A 自定研磨間隔時間
Customizable interval times
- B 自定機台運轉時間
Customizable operation times

特色 Features

全自動壓夾震盪
Fully automatic clamping

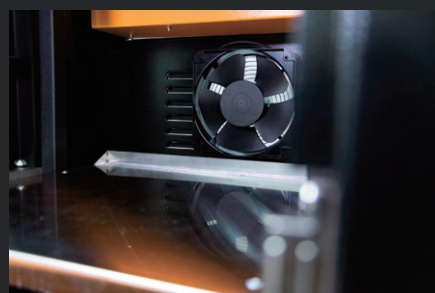
直覺式介面操作
Intuitive interface for easy operation

安全的機械設計
Safe mechanical design

適用各尺寸樣瓶
Compatible with sample bottles of various sizes

風扇氣流式降溫
Cooling with fan airflow

側面透明視窗設計方便保養檢修
Side transparent window for convenient maintenance and inspection



適用各種尺寸樣品瓶

輕鬆完成各式配方篩選、小量研磨生產、物料混合！

Suitable for various sizes of sample bottles,
easily completing formula screening, small-scale production, and material mixing !

NT Nano Ceramic Bead mill

NT系列 陶瓷奈米研磨機



應用 Application

隔熱材料

Heat insulation materials

噴墨色漿

Inkjet colorants

顏料和染料

Pigments and Dyes

汽車塗料

Automobile Coatings

功能性紡織材料

Functional textile materials

半導體材料

Semiconductor materials

電子漿料

Electronic Paste

電池材料

Battery materials

生物材料

Biomaterials

金屬氧化物

Metal oxide

導電材料

Conductive materials

特色 Features

陶瓷的研磨部件：無金屬汙染、耐腐蝕，且耐磨耗性佳

Ceramic mill (Zirconia) components - Avoid metal pollution、increase erosion resistant、wear resistance

專利中央入料系統：提高研磨均勻度、降低研磨壓力及研磨部件損耗

Patented central feeding system - Improves grinding uniformity, reduces grinding pressure and wear on grinding components.

研磨介質：可用0.1mm及以上氧化鋯珠

Grinding Media - Smallest bead size of 0.1 mm Zirconia beads

碳化矽研磨腔體：超高耐磨性&良好的冷卻能力

Silicon carbide grinding chamber - Wear resistance & high cooling capacity

註：耐磨耗性能是氧化鋯的6倍。*6 times wear resistance than zirconia

動態濾網的設計：降低物料堵塞問題

Dynamic filter design - Avoid clogging

特殊的渦輪設計：提高研磨的效率

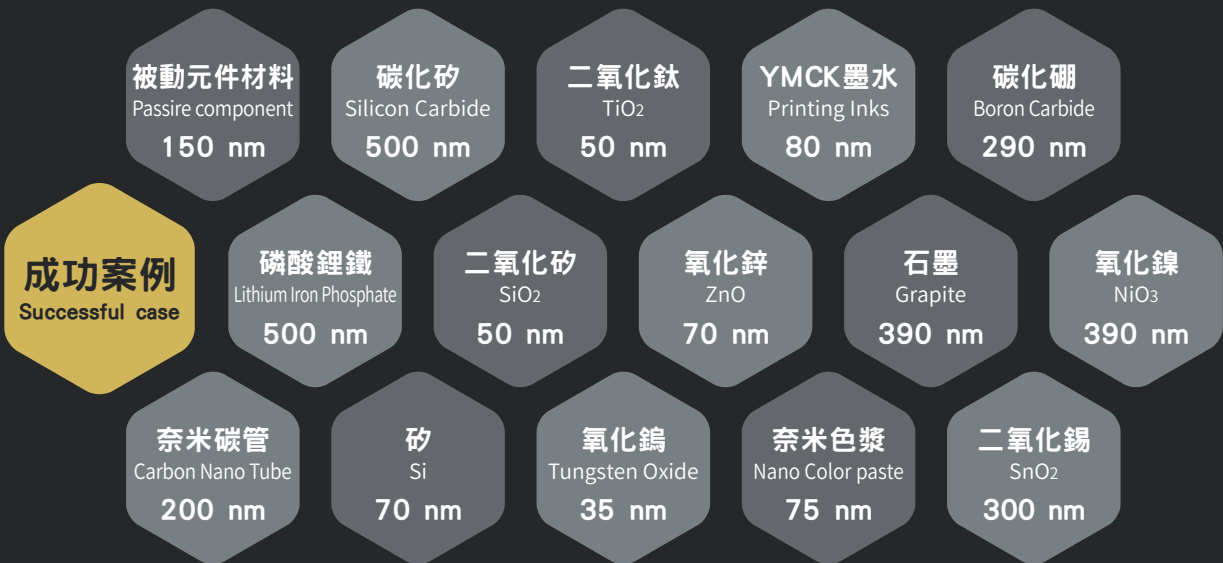
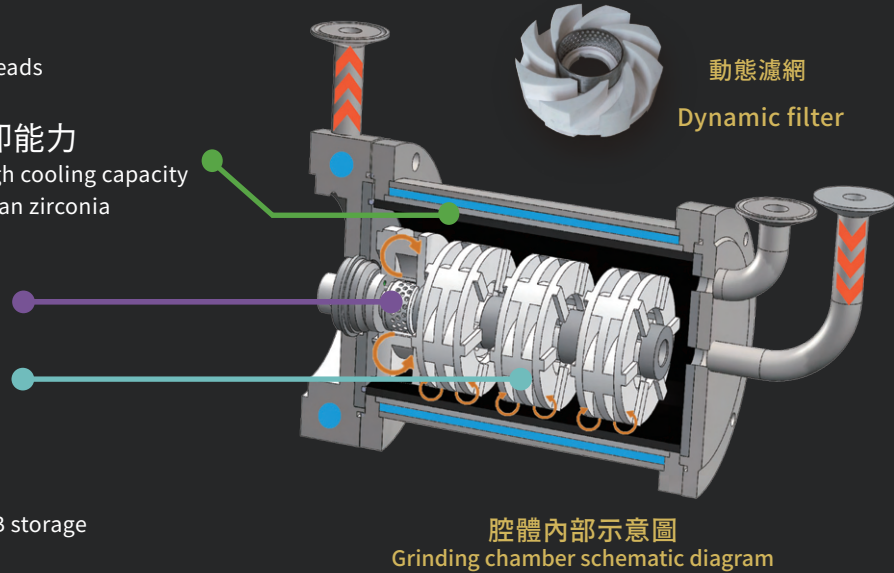
Special turbo design - Improve efficiency

生產數據儲存：遠端電腦儲存，USB儲存

Production data storage - Remote computer storage, USB storage

智慧化生產：遠端電腦監控、手機APP監控、即時異常通知

Smart manufacturing - Enables remote computer and mobile APP monitoring, and provides real-time abnormal notifications.



技術資料 Specifications

型號 Model	電機 Power	容積(L) Volume	轉速(RPM) Speed	流量(L/H) Flow	機台尺寸(mm) Dimensions
NT-1L	5.5 KW	1	0-3500	0-120	1000x550x1200
NT-5L	15 KW	5	0-2500	0-600	1300x1000x1350
NT-15L	30 KW	15	0-1800	0-1200	1550x1150x1500
NT-30L	45 KW	30	0-1500	0-1800	1700x1150x1550
NT-60L	75 KW	60	0-900	0-4800	2000x1550x2000

HT Ceramic Bead mill

HT系列 陶瓷珠磨機



應用 Application

油漆和塗料
Paints and Coatings

印刷油墨
Printing Inks

回收減碳材
Carbon reduction
materials

汽車塗料
Automobile Coatings

電子漿料
Electronic Paste

生物材料
Biomaterials

金屬氧化物
Metal oxide

橡膠材料
Rubber Material

化妝品
Cosmetic

食品
Food

保健食品
Dietary supplement

特色 Features

陶瓷的研磨部件：無金屬汙染、耐腐蝕，且耐磨耗性佳

Ceramic mill (Zirconia) components - Avoid metal pollution、increase erosion resistant、wear resistance

專利中央入料系統：提高研磨均勻度、降低研磨壓力及研磨部件損耗

Patented central feeding system - Improves grinding uniformity, reduces grinding pressure and wear on grinding components.

中高黏度研磨設計：適用於低於30,000cps黏度漿料

Medium to high viscosity design - Suitable for below 30,000 cps slurry

研磨介質：可用0.8mm氧化鋯珠

Grinding Media - Smallest bead size: 0.8 mm Zirconia beads

動態間隙及動態濾網設計：降低物料堵塞的問題

Dynamic filter design - Avoid clogging

碳化矽研磨腔體：超高耐磨性&良好的冷卻能力

Silicon carbide grinding chamber - Wear resistance & high cooling capacity

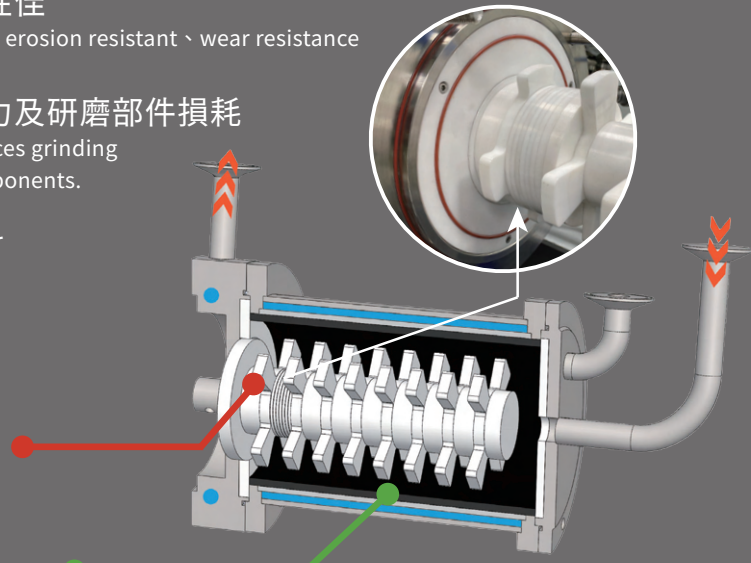
註：耐磨耗性能是氧化鋯的6倍。*6 times wear resistance than zirconia

生產數據儲存：遠端電腦儲存，USB儲存

Production data storage - remote computer storage, USB storage

智慧化生產：遠端電腦監控、手機APP監控、即時異常通知

Smart manufacturing - Enables remote computer and mobile APP monitoring, and provides real-time abnormal notifications.



腔體內部示意圖
Grinding chamber schematic diagram



技術資料 Specifications

型號 Model	電機 Power	容積(L) Volume	轉速(RPM) Speed	流量(L/H) Flow	機台尺寸(mm) Dimensions
HT-LAB	4 KW	0.3	0-3400	0-80	800x550x1200
HT-1L	5.5 KW	1	0-2600	0-120	1000x550x1200
HT-5L	15 KW	5	0-2000	0-600	1300x1000x1350
HT-15L	30 KW	15	0-1500	0-1200	1550x1150x1500
HT-30L	45 KW	30	0-1300	0-1800	1700x1150x1550
HT-60L	55 KW	60	0-800	0-4800	2000x1550x2000

LHT Bead mill

LHT系列 珠磨機



應用 Application

油漆和塗料
Paints and Coatings

印刷油墨
Printing Inks

平板墨
Flat ink

汽車塗料
Automobile Coatings

金屬氧化物
Metal oxide

橡膠材料
Rubber Material

成功案例 Successful case

電泳塗裝漆
Electrophoresis Paint
3~5um

軟板用電子漿料
PC Electronic Paste
3~5um

鞋用色漿
Color paste for shoemaking
15~10um

醫療器具用色漿
Medical equipment
color paste
1~2um

建築塗料
Architectural Coatings
10~15um

汽車漆
Automobile Coatings
5~10um

特色 Features

碳化矽研磨腔體：超高耐磨性&良好的冷卻能力

Silicon carbide grinding chamber - Wear resistance & high cooling capacity

註：耐磨耗性能是氧化鋯的6倍。*6 times wear resistance than zirconia

動態間隙及動態濾網設計：降低物料堵塞的問題

Dynamic filter design - Avoid clogging

中高黏度研磨設計：適用於低於30,000cps黏度漿料

Medium to high viscosity design - Suitable for below 30,000 cps slurry

研磨介質：可用0.8mm氧化鋯珠

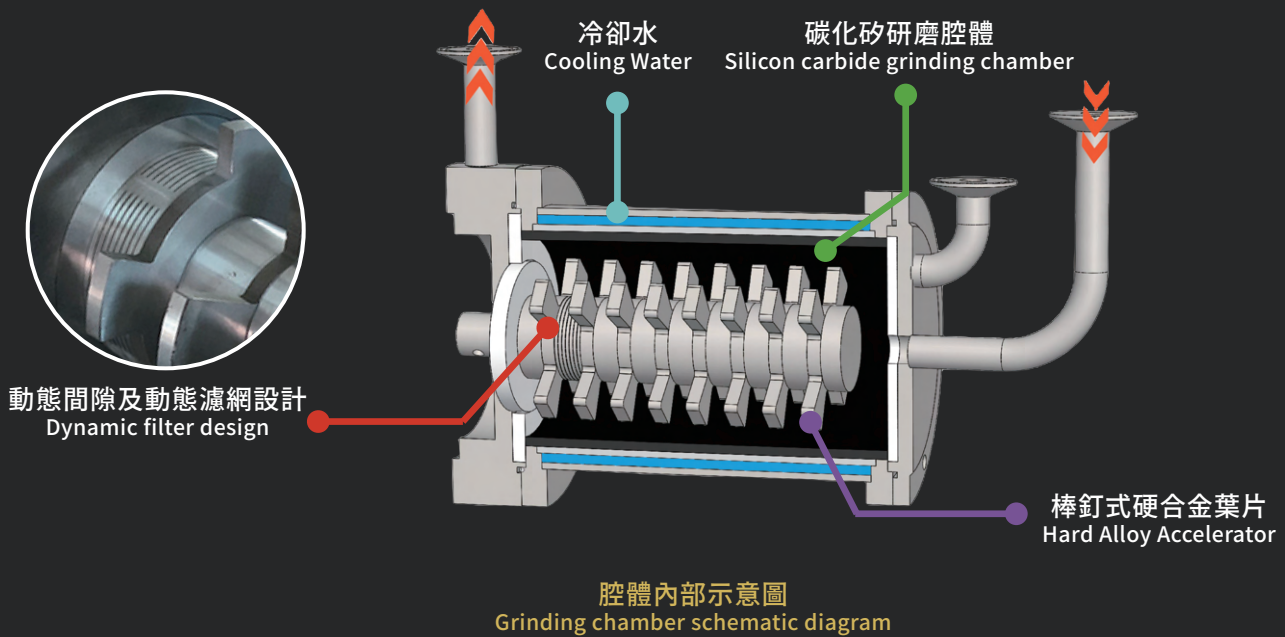
Grinding Media - Smallest bead size: 0.8 mm Zirconia beads

觸控面板：淘汰傳統按鍵使用觸控面板

Touch panel - Replace traditional buttons with touch panel

專利中央入料系統：提高研磨均勻度、降低研磨壓力及研磨部件損耗

Patented central feeding system - Improves grinding uniformity, reduces grinding pressure and wear on grinding components.



技術資料 Specifications

型號Model	電機Power	容積(L)Volume	轉速(RPM)Speed	流量(L/H)flow	機台尺寸(mm)Dimensions
LHT-10L	15 KW	10 L	0-1300	0-600	1400x1100x1500
LHT-20L	22 KW	20 L	0-1300	0-1200	1400x1100x1600
LHT-30L	30 KW	30 L	0-1000	0-1800	1700x1100x1500
LHT-50L	45 KW	50 L	0-1000	0-3600	1700x1500x2100

Mixing tank system 攪拌槽系統

攪拌槽系統挑選 Selection of Mixing tank system

槽體體積
Tank capacity

30L、50L、100L、300L、500L、800L

單槽/雙槽
single tank/double tank

單槽：循環研磨 single tank : closed circuit grinding

雙槽：批次研磨，均勻研磨效果 double tank : batch grinding, uniformity performance

溫度調控
Temperature control

夾套加熱 / 夾套冷卻

Jacket heating / Jacket cooling

葉片
mixing blade

提供五種葉片組合：乳化頭(HX) / 高速葉片(SX) /
刮壁(AX) / 高速+刮壁(SA) / 乳化+刮壁(HA)

we provide five types of mixing blade combinations: Emulsifying Head (HX)/High Speed(SX)/
Teflon Scraper (AX)/High speed + Teflon Scraper (SA)/ Emulsifying Head + Teflon Scraper (HA)

可依據物料特性與需達成的效果&黏度做選擇

Multiple combinations based on the material properties, effects needed to achieve and viscosity.



50L攪拌槽 RA50-HX-C

50L mixing tank RA50-HX-c

- 單槽RA系列 Single RA series
- 配備冷卻降溫系統 Cooling system included
- 此攪拌槽搭配HX乳化頭，亦可搭配不同攪拌葉片
The tank includes HX, with changeable mixing blades.



RA800-SA-H

- 單槽RA系列，配備夾套加熱系統
Single tank RA series, heating system included
- 使用高速葉片+刮壁葉片(SA)
The tank includes SA, high speed + teflon scraper blades
- 人性化HMI操作介面 Human-centered design HMI UI
- 可依照需求選擇壓力計、溫度計、氣動閥做
客製化選項
Customizable parts: pressure meter, thermometer,
pneumatic valve...

攪拌葉片種類 Mixing blade types

乳化頭(HX)

產生內部循環的上下對流，產生的剪切力使物料研磨均勻分散，適用於中低黏度

Emulsifying Head (HX):

Creates internal convection and shear force, which disperse the materials evenly, applicable with mid-low viscosity.

高速葉片(SX)

均勻分散粉體，使物料在研磨前達成預分散效果

High speed mixing blade(SX):

Disperse powder evenly, makes materials in dispersed phase before grinding.

刮壁(AX)

減少物料於桶壁的殘留、使物料更均勻的分散，對於高黏度物料有顯著均勻分散效果

Teflon Scraper (AX):

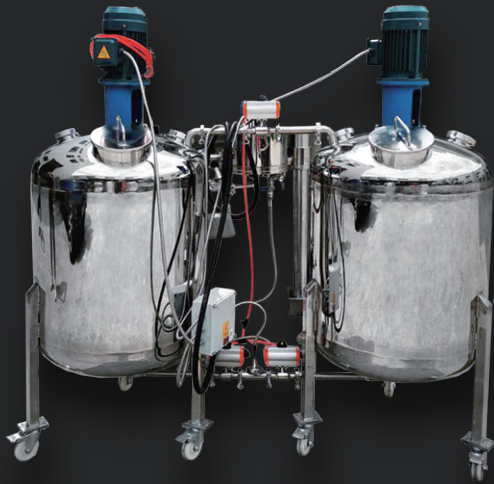
Decrease residues on tank walls, and makes dispersion more evenly, especially for high viscosity materials.

高速+刮壁(SA) / 乳化+刮壁(HA)

刮壁葉片可與任一攪拌葉片搭配使用達到最佳混合效果(適用於100L以上桶槽)

High speed mixing blade+ Teflon Scraper / Emulsifying Head+ Teflon Scraper (HA):

The teflon scraping blades can be used in combination with any mixing blades to achieve the best blending effect (suitable for tanks of 100L or more).



RX500-SA-N

- 雙槽RX系列，無夾套 Double tanks RX series, normal
- 具自動切換桶槽功能&HMI操作介面
automatic throw over equipment & HMI UI
- 可依照需求選擇壓力計、溫度計、氣動閥做客製化選項
Customizable parts: pressure meter, thermometer, pneumatic valve...

技術資料 Specifications

桶槽種類Tank types	公升數liter	葉片型式blade types	桶壁型式Tank wall types
單槽-RA系列 Single tank -RA series	30 L	HX	N 單層 normal
	50 L	SX	
	100 L	AX	
雙槽-RX系列 Double tanks -RX series	300 L	SA	H 夾套加熱 Jacket heating
	500 L	SA	C 夾套冷卻 Jacket cooling
	800 L	HA	

規格範例: 使用單槽800L高速+刮壁 → RA800 – SA-N

Example: chose single tank 800L high speed+ Teflon Scraper→ RA800 – SA-N

Japanese products-Grinding beads

日本製品—研磨珠

適用於各種
濕式攪拌研磨機



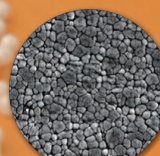
Zirconia Beads 氧化鋯珠



真圓度
Roundness



剖面圖
Section



微結構
Microstructure

• **高強度、高韌性特性**：可耐衝擊、防破損，卓越的研磨效率
Higher density - a greater impact force resulting in superior grinding efficiency

• **高效率研磨、分散**：表面光滑，高真圓度，出料尺寸差異小
Higher productivity grinding and dispersion - smooth surface, ideal roundness/sphericity and narrow size distribution

• **高耐磨性**：避免汙染研磨物料
Higher wear resistance - minimizing product contamination from media wear

• **防水鏽**：抗腐蝕
Resistant to rust and corrosion - compatible with water based processing

技術資料 Specifications

直徑(φ,mm) Diameter	容許差(mm) Tolerance	填充密度(kg/L) Filling Density	直徑(φ,mm) Diameter	容許差(mm) Tolerance	填充密度(kg/L) Filling Density		
0.03	0.02	3.5	1	±0.15	3.8		
	-0.015		1.25				
0.05	0.03	3.55	1.5				
	-0.02		1.75				
0.1	0.03	3.7	2			±0.2	3.7
	-0.02		2.3				
0.2	0.07		3	2.7			
	-0.03			3			
0.3	0.07		3.9	4	±0.3	3.6	
	-0.01	5					
0.4	0.1	3.9		10	±1.0		3.5
	-0.05			15			3.4
0.5	0.15			20			3.3
0.65			25	3.2			
0.8							

氧化鋯珠特性		YTZ
組成 Composition	95% 5% (ZrO ₂ +Y ₂ O ₃)	94.7
密度 Density	g/cm ³	6.0
硬度 Hardness	HV 10	1250
彈性係數 Modulus of Elasticity	GPa	210
彎曲強度 Bending Strength	MPa	1200
破壞韌性 Fracture toughness	MPa√m	6.0

矽鋯珠

技術資料 Specifications

直徑(ø ,mm) Diameter	
0.6	2.2
0.8	2.5
1.0	2.8
1.2	3.2
1.4	4.0
1.6	5.0
1.8	6.0
2.0	

矽鋯珠物理特性 Silica-zirconia beads physical Characteristics			
硬度 Hardness		≥ 1050	
密度 (g/cm ³) Density		>5.4	
填充密度 (kg/L) Filling density		≥ 3.3	
壓碎強度 (KN) Crushing strength		1.5(2.0mm)	
化學成份 Chemical composition			
ZrO ₂	SiO ₂	Al ₂ O ₃	Others
75-80%	7-12%	5-10%	1%

Glass beads

玻璃珠

技術資料 Specifications

直徑(ø ,mm) Diameter
0.75 - 1.0
1.0 - 1.3
1.55 - 1.85
1.5 - 2.0
2.0 - 2.5

玻璃珠物理特性 Glass beads physical characteristics					
密度 (g/cm ³) Density		2.45			
強度 (kg/cm ²) Micro-rigidity		635			
圓度 Roundness		dmin/dmax ≥ 0.90			
化學成份 Chemical composition					
SiO ₂	Na ₂ O	CaO	MgO	Al ₂ O ₃	K ₂ O
71.75%	14.80%	6.80%	3.80%	2.50%	0.25%

Dry Grinder 乾式研磨機

立式型 VERTICAL TYPE

以SUS304不鏽鋼材質製造，連續進、出料設計，可更換粉碎濾網孔徑，達到10~150目的顆粒細度。適用於中草藥、五穀雜糧、農漁業、礦物類、化妝品類、粉體塗料業、化工原料…等產品。

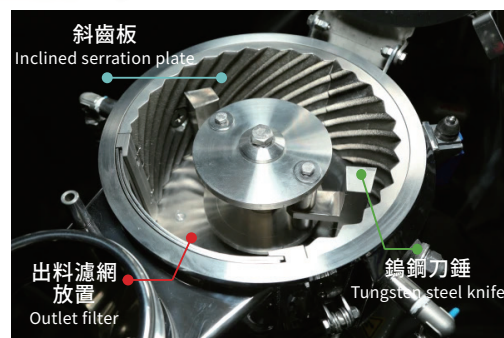
Machines are made of SUS304. The fineness of powder can reach 10~150 Mesh. The machine is suitable for grinding Chinese medicinal herb, crop, food material, mineral, powder coating industry and so on.



立式量產型機台
VERTICAL TYPE-Mass production grinder
DT-20S 2HP



立式自動入料型機台
VERTICAL TYPE-Auto feeding grinder
DT-50SA 5HP



腔體內部示意圖
Grinding chamber schematic diagram

技術資料 Specifications

型號Model	馬力Hp	電壓Volt	產能Capacity Range	重量(KG)Weight	機台尺寸(mm)Dimensions
DT-20S	2 HP	220V/單相 single phase	15-20/kg/hr	73	450x700x1100
DT-30S	3 HP	220V/三相 Three phase	25-40/kg/hr	110	520x850x1250
DT-50S	5 HP	220V/三相 Three phase	35-60/kg/hr	140	520x880x1250
DT-50SA	5 HP	220V/三相 Three phase	35-60/kg/hr	200	1000x1000x1630
DT-100S	10 HP	220V/三相 Three phase	45-80/kg/hr	160	600x900x1250
DT-200S	20 HP	220V/三相 Three phase	65-100/kg/hr	295	1470x1238x1450
DT-200SA	20 HP	220V/三相 Three phase	65-100/kg/hr	380	1250x1250x1693

臥式型 HORIZONTAL TYPE

結晶體專用粉碎機，以SUS304不鏽鋼材質製造，連續進、出料設計，可更換粉碎濾網孔徑，達到10~120目的顆粒細度，適用於多醣體、糖、鹽、黑豆、黃豆、麵包屑等食品材料、化工原料。

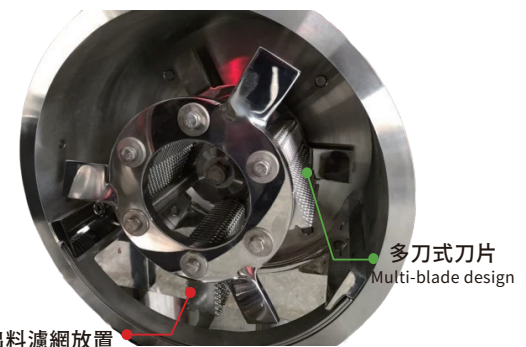
Crystals special grinder, machines are made of SUS304. The fineness of powder can reach 10~150 Mesh. It is suitable for grinding food and chemical material, like salt, sugar, monosodium glutamate, soy beans, black soy beans, crystal and so on.



臥式量產型機台
HORIZONTAL TYPE-Mass production grinder
DT-10HS 1HP



臥式自動入料型機台
HORIZONTAL TYPE-Auto feeding grinder
DT-100HSA 10HP



技術資料 Specifications

型號Model	馬力Hp	電壓Volt	產能Capacity Range	重量(KG)weight	機台尺寸(mm)Dimensions
DT-10HS	1 HP	110V/單相 single phase	5-10/kg/hr	42	320x450x630
DT-20HS	2 HP	220V/單相 single phase	15-30/kg/hr	90	600x600x1130
DT-30HS	3 HP	220V/三相 Three phase	30-60/kg/hr	110	750x600x1130
DT-50HS	5 HP	220V/三相 Three phase	40-80/kg/hr	130	750x600x1130
DT-50HSA	5 HP	220V/三相 Three phase	40-80/kg/hr	271	1200x1130x1980
DT-100HS	10 HP	220V/三相 Three phase	60-100/kg/hr	150	800x700x1130
DT-100HSA	10 HP	220V/三相 Three phase	60-100/kg/hr	300	1100x1100x2050

Dry Grinder 乾式研磨機

實驗型 DRY GRINDER-LAB

本機透過物料與刀具，在高速撞擊下產生74微米以下(200網目以上)的粉末，再利用旋風分離器的離心原理將磨好的粉末排出，可做連續式進料與出料，且無濾網設計，更沒有堵塞的問題。

The high speed rotating blades can produce 200 mesh or fiber (below 74 μ m) powder, and discharge via centrifugal force.

In addition, with a continuous feeding device and non-filter device it does not only solve clogging issues but also runs more smoothly.



實驗型乾式研磨機
Dry Grinder - LAB
DT-LAB



水冷噴氣式實驗型乾式研磨機
Dry Grinder - LAB
DT-LAB(APW)

特色 Features

- 高速鋼粉碎刀材質，更為耐用
Made of HSS blades - More durable
- SUS304不鏽鋼材質，清理方便
Material of SUS304 - Easy to clean
- 安全開關裝置，防止使用人員受傷
Safety switch - More safe
- 馬達過負載保護，避免燒毀
Ammeter - Prevents current overload
- 研磨顆粒尺寸一致
Grind Size Consistency

不適用具有以下特性之物料：油、黏、濕、金屬
Do not feed with materials of following characteristics: oils, sticky, wet, and/or metal.

技術資料 Specifications

型號Model	馬力Hp	電壓Volt	產能Capacity Range	重量Weight	轉速(RPM)Speed	粒徑Particle Size	體積(mm)Dimensions
DT-LAB	2.6	110/220	1-3/kg/hr	12.3 kg	25000	Above 200 mesh	319x249x432
DT-LAB(W)	2.6	110/220	1-3/kg/hr	13 kg	25000	Above 200 mesh	319x249x432
DT-LAB(APW)	2.6	110/220	1-5/kg/hr	18.3 kg	4000-25000	Above 200 mesh	420x330x460

Crusher 粗碎機



粗碎機
Crusher
ST-5A

強力爪刀可粗碎各式大型物件，
結合乾式研磨機
可從粗碎到細磨一條龍生產。

The powerful claw knife can coarsely crush all kinds of large objects, combined with the dry grinder can be produced from coarse crushing to fine grinding.

特色 Features

- 特殊刀爪設計，可粗碎各式材料
Special claw knife design can coarsely crush various materials
- 可多加自動輸送帶，達到自動化粉碎
Automatic conveyor can be added to achieve automatic crushing
- 高產能，高效能設計
High productivity, high efficiency design
- 可選用2~30mm的濾網
Optional 2~30mm filter

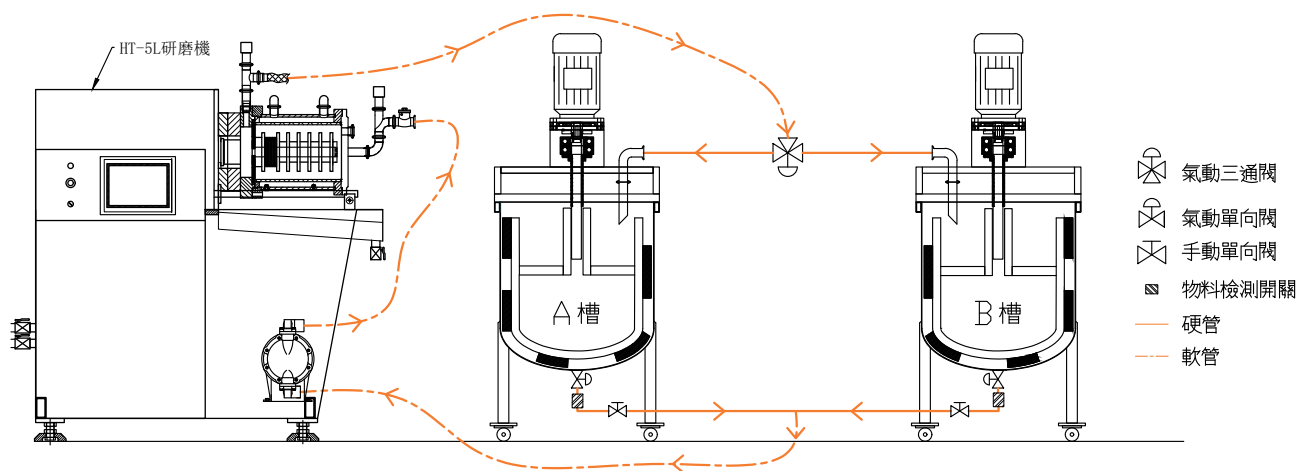


技術資料 Specifications

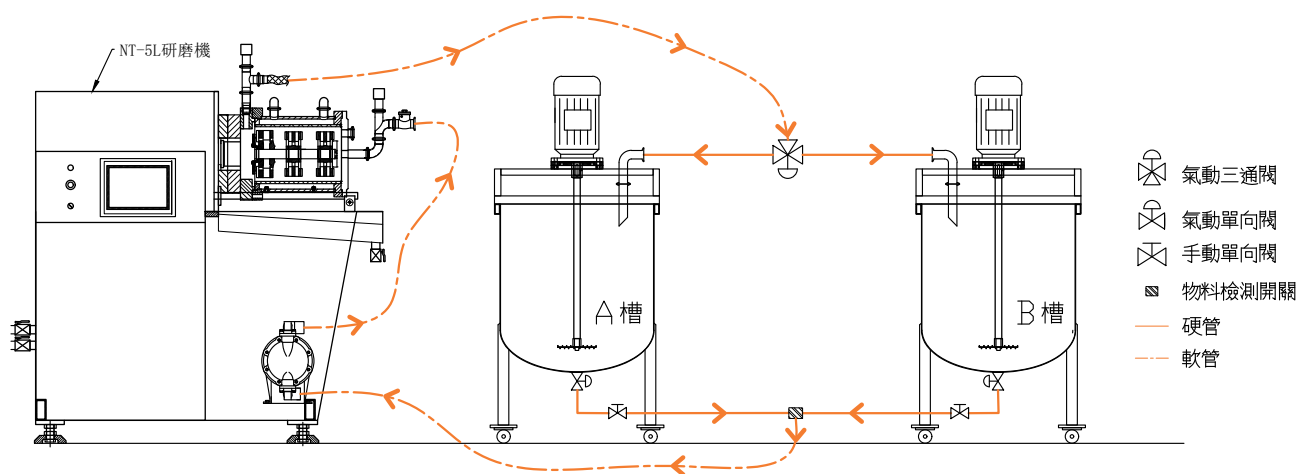
型號 Model	馬力(HP) Power	入口尺寸(mm) Entrance Size	產能(KG/Hr) Production Capacity	規格尺寸(mm) Dimensions	淨重(KG) Weight
ST-5A	5	270x160	150-300	1000x680x1350	400
ST-15A	15	400x240	300-600	1300x960x1450	800
ST-30A	30	550x320	500-900	1500x1160x1800	1400
ST-50A	50	890x320	750-1150	1600x1600x1850	1900
ST-60A	60	1285x320	900-1200	1700x1900x1850	2400

Attachment 附件

AB桶槽設計圖 Double tanks diagram



適合高黏度物料
Suitable for high viscosity



適合低黏度物料
Suitable for low viscosity

濕式研磨設備規格比較表

●標配 ○選配 ※無

	NT 系列研磨機	HT 系列研磨機	LHT 系列研磨機
軟體			
人機介面控制	●	●	●
配方設定	●	●	※
數位控制進料系統	●	●	※
USB資料存取	●	○	※
APP推播通知	○	○	※
遠程監控系統	○	○	※
硬體			
動態出料設計	動態濾網	疊加片+動態間隙	濾網+動態間隙
研磨部件	氧化鋁渦輪	氧化鋁棒削	硬合金棒削
碳化矽腔體	●	●	●
專利中心入料設計	●	●	●
入料壓力偵測	●	●	●
空壓源壓力偵測	●	●	●
出料溫度偵測	●	●	●
出料法蘭冷卻	●	○	○
冰水壓力偵測	●	●	○
冰水溫度偵測	●	●	○
冰水入口氣動閥	●	●	○
機體不銹鋼包覆設計	●	○	○
進料緩衝罐設計	●	●	●
機械密封罐冷卻	相容溶劑或水	相容溶劑或水	機油
軸封罐液位偵測	●	●	●
軸封罐溫度偵測	●	●	●

以上規格為5L以上設備差異，不包含1L設備，因1L與5L硬體規格不同

關於我們

合記機械是合記化學集團的其中一個品牌

合記化學在化工業中擁有60年的經驗

先進的設備和良好的工廠管理及嚴格的質量控制和質量保證標準
使我們能夠保證產品質量和穩定性，並全面提升我們對客戶的服務

從1986年開始，我們一直致力於分散及奈米研磨技術開發
並於2012年投入機械產業生產合記機械提供一系列的研磨設備產品

我們的產品專為各種不同類型的材料研磨需求而設計
以提供最佳的研磨和分散整體解決方案

ABOUT US

HOUCHI MACHINE is one of the brands made by Hou Chi Chemical Group.
We have 60 years of experience in the chemical industry with high-quality factory management and equipment as well as strict QC & QA standards, we are able to assure product quality and stability and overall enhance our service to our customers.

We have been committed to developing dispersion and nano milling technology since 1986 and applied it to the machine industry by producing our own in 2012.

HOUCHI MACHINE has a full range of grinding equipment. Our products are designed for all different types of material grinding needs, thus provides the best total grinding and dispersing solutions.

**HOUCHI
MACHINE**
合記機械



台灣總公司-台北市中正區福州街56號
Headquarters-No.56, Fu Zhou St. Taipei, Taiwan

台北實驗室-新北市深坑區北深路三段270巷8號8樓
Taipei Laboratory-8F, No.8, Ln.270, Sec.3, Beishen Rd, Shenkeng Dist, New Taipei City, Taiwan

工廠&雲林實驗室-雲林縣斗六市科加六路20號
Factory&Yunlin Laboratory-No.20, Keja 6th Rd, Douliu City, Yunlin County, Taiwan

TEL: +886-2-2332-8001 FAX: +886-2-2305-4020 Email: sale@houchi.com.tw www.houchi-machine.com